

Highly adjustable self-closing gate hinges



TCAMA2



TCHDAMA1

3-way adjustment - vertical, horizontal & tension

- Easy alignment legs & adjustment slots
- Up to 19mm horizontal adjustment
- Regular model self-closes gates up 25kg
- Heavy Duty model self-closes gates up to 60kg
- Won't rust, bind, sag or stain
- UV-stabilized, industrial-strength polymer construction
- Internal stainless steel spring and components



D&D Technologies

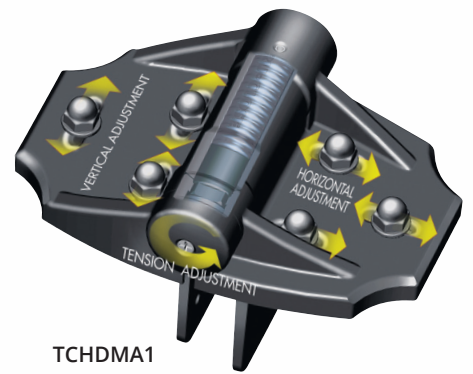
World's most trusted gate hardware



TCAMA1



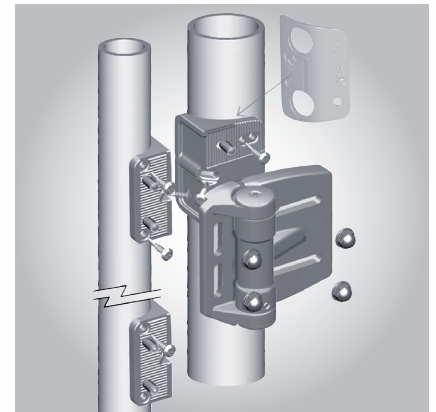
TCHDMA1WT



TCHDMA1

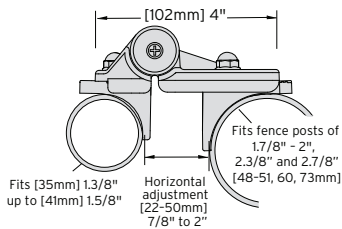
Product Dimensions

CODE	GATE MATERIAL	IDEAL GATE GAP	GAP VARIANCE	COLOR
TCAMA2RND	Chainlink	35mm	22-50mm	Black
TCAMA1	Metal, Wood, Vinyl	29mm	22-38mm	Black
TCAMA2	Metal, Wood, Vinyl	35mm	22-50mm	Black
TCAMA2WT	Metal, Wood, Vinyl	35mm	22-50mm	White
TCHDMA1	Wood, Vinyl	25mm	16-35mm	Black
TCHDMA1WT	Wood, Vinyl	25mm	16-35mm	White

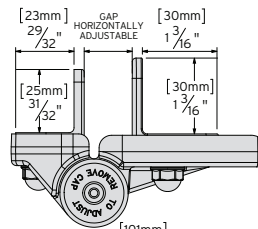


TCAMA2RND

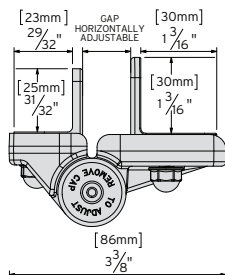
TCAMA2RND



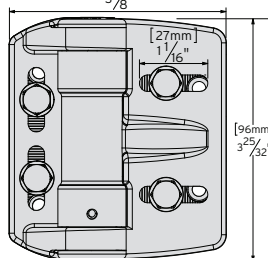
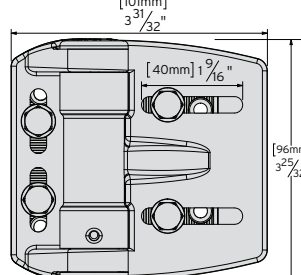
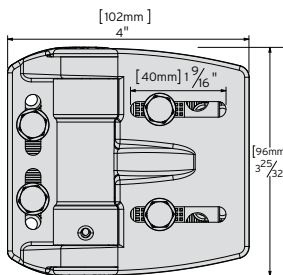
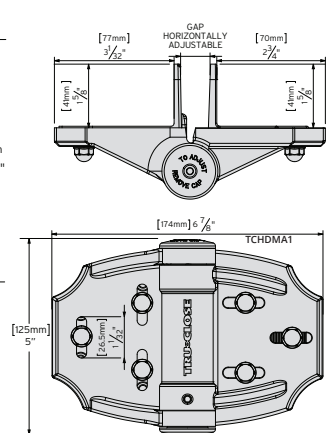
TCAMA2



TCAMA1



TCHDMA1



www.ddtechglobal.com

Unit 6, 4-6 Aquatic Drive, Frenchs Forest NSW 2086
Tel: (02) 9454 7888 Email: sales@ddtech.com.au

DD
D&D Technologies
World's most trusted gate hardware