

HIGH SECURITY



Section Table of Contents

B
Best 2-4

C
CORMAX 4
Cylinders
Cylinders-Best 2-4

HIGH SECURITY



STANLEY Security

CORMAX™ Specification Data

CORMAX™ is a premier patented keying system that meets all of your needs for higher security, key control, and convenience.

X Series Keyway Features

- X Series keyways are unique to CORMAX™ offering even higher key duplication protection.
- Thicker key blanks with larger bow for added strength and easier handling.
- Recommended for large facilities in multi-building campuses.

M Series Keyway Features

- Four keyways in one family.
- M Series CORMAX™ keys operate both CORMAX™ and BEST® standard cores (backward compatibility) with J, K, L, and M keyways. BEST® standard keys do not operate CORMAX™ cores.
- Available in large bow, long blade, and long nose key blanks to work with special applications.
- Enables seamless, phase-in upgrades in large facilities and multi-building campuses since CORMAX™ cores can be installed in openings demanding higher security while keeping the existing BEST® cores in the remaining areas.

M Series Backward Compatibility



- * Keyway offerings will continue to grow.
- ** Certain restrictions apply.
- *** Additional charges will apply.

General:	
Core Format	BEST - SFIC
BHMA Standard	A156.5, Grade 1
Utility Patent	2027
Physical:	
Core Material	Brass
Key Material	Nickel-Silver
Finishes (605, 606, 611, 612, 613, 625, 626, 690)	8
Core Size (pin count)	6 or 7
Keyway Count (excluding multi-milling) *	> 30
Key System	A2, A4
Security Levels: **	
(W) Non-exclusive	Available
(X) Two-digit zip code exclusive	Available
(Y) One-digit zip code exclusive	Available
(Z) National exclusive	Available
Features:	
Warranty	3 year limited
Pick & Drill Resistant	Option
Key Trap	Option
Wear Resistant	Option
M series keys are backward compatible with standard J,K,L,M keyways	MJ,MK,ML,MM
Milling (sectional keyways) Capability	Double, Quad
Construction Core to Permanent Keying Support	Yes
Keystone - Key and Core Control Management: ***	Service Option
BESTCode - Masterkey System Support	Service Option
Custom Key Stamping ***	Service Option
Packaging (Uncombined Cores and Key Blanks**):	
Single Unit package Dims (L x W x H) - Key	2.5 X 4 1/4 Envelope
Single Unit package Dims (L x W x H) - Core	2 1/4 X 3.5 Envelope
Single unit package weight (lbs) - Cores	.112 lbs
Single unit package weight (lbs) - Keys	X Series: .028 lbs, M Series: .024 lbs
Masterpack count - Cores	50
Masterpack count - Keys	X Series: 100, M Series: 144
Masterpack package Dims (L x W x H)	4 1/4" X 4 1/8" X 3" to 3 1/8"
Masterpack Package weight (lbs) - Cores	5.6 lbs
Masterpack Package weight (lbs) - Keys	X Series: 2.88 lbs, M Series: 3.5 lbs





CORMAX™ PATENTED KEYING SYSTEM

AN OPTION FOR EVERY NEED

The BEST CORMAX Patented Keying System is available in two series of keyways: M series and X series. Each series offers a different blend of features to meet your needs while optimizing security and maximizing convenience.



M Series Keyway Features

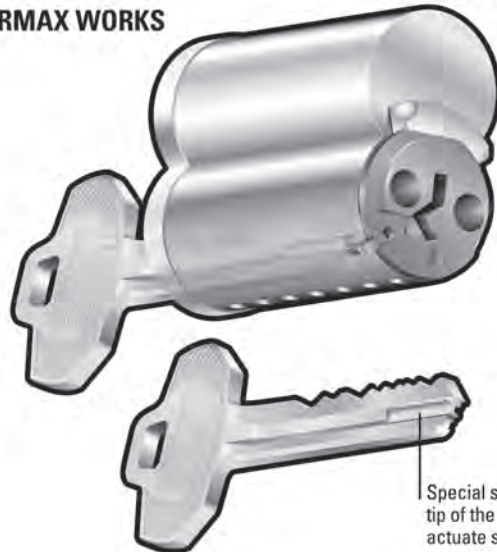
- Four keyways in one family.
- M Series CORMAX keys operate both CORMAX and BEST standard cores (backward compatibility) with J, K, L, and M keyways. BEST standard keys do not operate CORMAX cores.
- Available in large bow, long blade, and long nose key blanks to work with special applications.
- Enables seamless, phase-in upgrades in large facilities and multi-building campuses since CORMAX cores can be installed in openings demanding higher security while keeping the existing BEST cores in the remaining areas.



X Series Keyway Features

- Twelve keyways organized in three families. More keyway families to be added in the future.
- CORMAX incorporates existing BEST MX8 X Series keyways (XA, XB, XC, XD).
- X Series CORMAX keys only operate CORMAX cores.
- X Series keyways are unique to CORMAX offering even higher key duplication protection.
- Thicker key blanks with larger bow for added strength and easier handling.
- Recommended for new facilities and new buildings in multi-building campuses.

HOW CORMAX WORKS



Patented side pin engages slot in core body and sleeve, preventing rotation unless the proper CORMAX key is present.



Patented side pin slides out to disengage from the body and sleeve when the proper CORMAX key is inserted.



STANLEY Security

CORMAX™ Keyway Examples

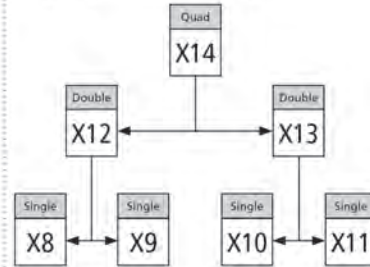
Shown in the chart below are the single CORMAX™ keyways and their multi-milling (sectional) options. CORMAX™ offers 32 unique keyways, 128 level options, and continues to grow and evolve.

Keyways	Single	Single	Single	Single	Double	Double	Quad
M Series	MJ	MK	ML	MM	MJK	MLM	M/LKM
	PATENTED	PATENTED	PATENTED	PATENTED	PATENTED	PATENTED	PATENTED
X Series	XA	XB	XC	XD	XBA	XDC	XDCBA
	PATENTED	PATENTED	PATENTED	PATENTED	PATENTED	PATENTED	PATENTED
	X1	X2	X3	X4	X5	X6	X7
	PATENTED	PATENTED	PATENTED	PATENTED	PATENTED	PATENTED	PATENTED
	X8	X9	X10	X11	X12	X13	X14
	PATENTED	PATENTED	PATENTED	PATENTED	PATENTED	PATENTED	PATENTED
	X15	X16	X17	X18	X19	X20	X21
	PATENTED	PATENTED	PATENTED	PATENTED	PATENTED	PATENTED	PATENTED
	X22	X23	X24	X25	X26	X27	X28
	PATENTED	PATENTED	PATENTED	PATENTED	PATENTED	PATENTED	PATENTED
X29	X30	X31	X32	X33	X34	X35	
PATENTED	PATENTED	PATENTED	PATENTED	PATENTED	PATENTED	PATENTED	
X36	X37	X38	X39	X40	X41	X42	
PATENTED	PATENTED	PATENTED	PATENTED	PATENTED	PATENTED	PATENTED	
X43	X44	X45	X46	X47	X48	X49	
PATENTED	PATENTED	PATENTED	PATENTED	PATENTED	PATENTED	PATENTED	

Keyway offerings will continue to grow.



Keyway Family Example



Single - Available on keys and cores
Double/Quad - Available on keys only

