

ILCO, KABA ILCO, UNICAN, SIMPLEX: L1000 SERIES EXPLODED VIEW

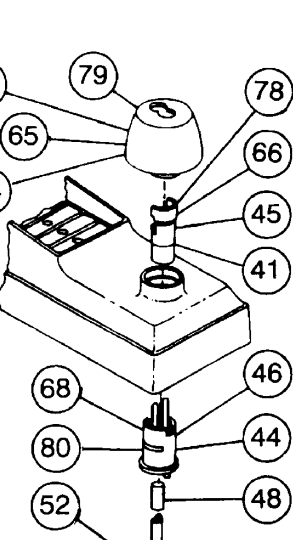
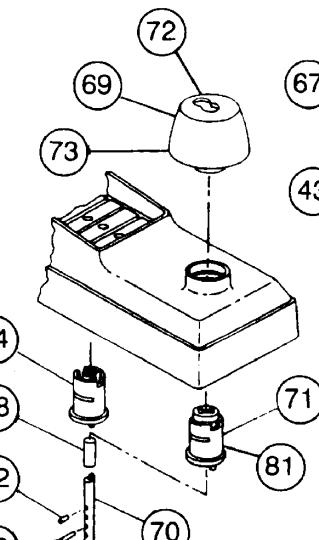
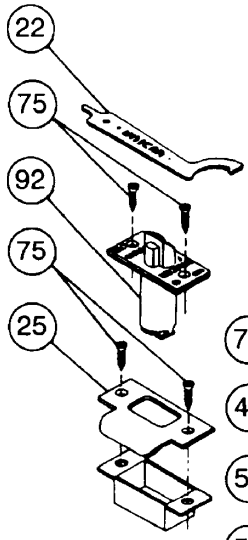
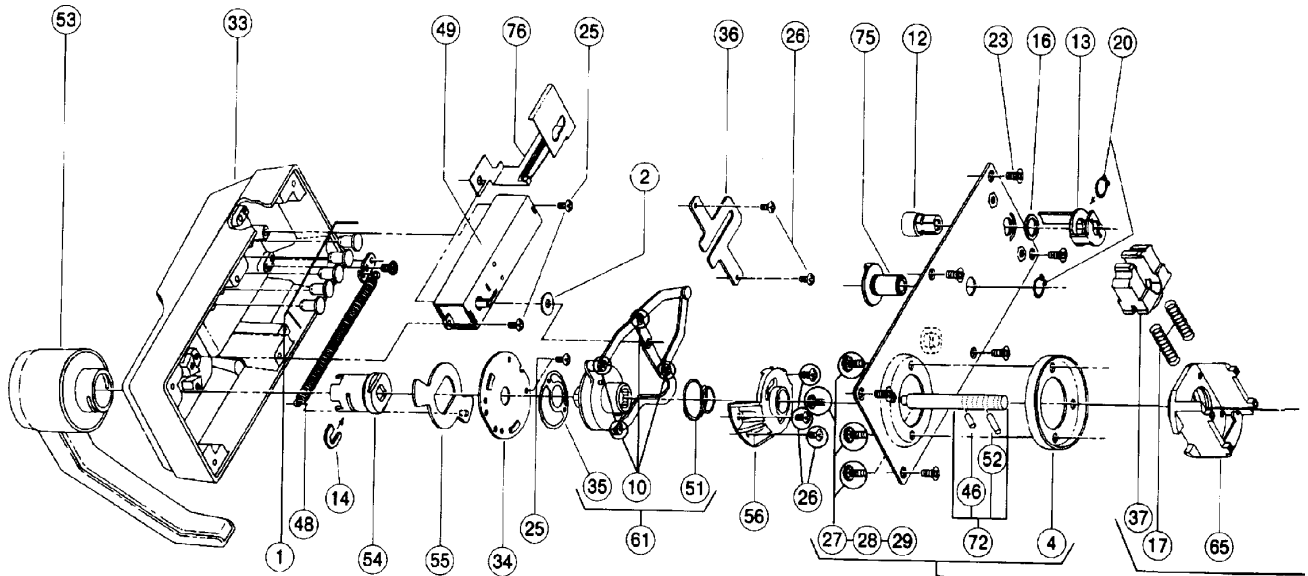
Next page for diagram

- | | | |
|----------------------------------------------------------------------------------------------------------------------------------------------------------------------------------------------------------------------------------------------------------------------------------------------------------------------------------------------------------------------------------------------------------------------------------------------------------------------------------------------------------------------------------------------------------------------------------------------------------------------------------------------------------------------------------------------------------------------------------------------------------------------------------------------------------------------------------------------------------------------------------------------------------------------------------------------------------------------------------------------------------------------------------------------------------------------------------------------------------------------------------|-------------------------------------------------------------------------------------------------------------------------------------------------------------------------------------------------------------------------------------------------------------------------------------------------------------------------------------------------------------------------------------------------------------------------------------------------------------------------------------------------------------------------------------------------------------------------------------------------------------------------------------------------------------------------------------------------------------------------------------------------------------------------------------------------------------------------------------------------------------------------------------------------------------------------------------------------------------------------------------------------------------------------------------------------------------------------------------------------------------------------------------------------------------------------------------------------------------------------|---------------------------------------------------------------------------------------------------------------------------------------------------------------------------------------------------------------------------------------------------------------------------------------------------------------------------------------------------------------------------------------------------------------------------------------------------------------------------------------------------------------------------------------------------------------------------------------------------------------------------------------------------------------------------------------------------------------------------------------------------------------------------------------------------------------------------------------------------------------------------------------------------------------------------------------------------------------------------------------------------------------------------------------------------------------------------------------------------------------------|
| <p>1. Pushbuttons
200024-106-10 - Black
200024-109-10 - White</p> <p>2. Shaft Bushing : 200026-000-15</p> <p>3. Spring Nut: 200079-000-15</p> <p>4. Door Thickness Spacer
201102-045-01</p> <p>5. Cover for Shoe Housing
201277-045-01</p> <p>6. Installation Wrench
201278-018-01</p> <p>7. Threaded Ring
201282-03-01
201282-05-01
201282-26D-01</p> <p>8. Standard Strike Plate
201288-03-01
201288-05-01
201288-26D-01</p> <p>9. "O" Ring 1" (25 mm) i.d.
201290-000-15</p> <p>10. Clip, Clutch Linkages
201293-000-10</p> <p>11. DF-59 Key for combination change control lock
201298-018-01</p> <p>12. Combination Change Stud
201335-045-01</p> <p>13. Combination Change Sleeve Assembly - Includes 201332 cam, 201333 rear insert, 201334 bracket, 201331 top insert
201336-045-01</p> <p>14. Retainer Clip for Front Knob
201343-045-15</p> <p>15. Retainer Clip for Inside Knob
201344-045-15</p> | <p>16. Washer: 201362-000-15</p> <p>17. Shoe Spring: 201366-045-10</p> <p>18. Key DF-5 for passage set locks
201422-018-01</p> <p>19. Shaft Self-aligning Bushing for Models 1002, 1004, and 1006
201425-000-01</p> <p>20. Retainer Ring 3/8" (9 mm) i.d. for passage set and combination change sleeve: 201440-000-15</p> <p>21. Screw Stud 1/4" (6 mm) - 20 x 1-7/8" (48 mm)
201442-000-15</p> <p>22. Screw 8-32 x 2-1/2" (64 mm) for mounting lock to door
201443-022-10</p> <p>23. Screw - Phillips 6-32 x 3/8" (10 mm) F.H.M.S. for back plate
201444-022-10</p> <p>24. Sems Screw Phillips 6-32 x 1/4" (6 mm) R.H.M.S. for shoe housing cover
201446-022-10</p> <p>25. Sems Screw Phillips 6-32 x 5/16" (8 mm) R.H.M.S. for combination chamber & clutch backing plate
201447-022-10</p> <p>26. Sems Screw Phillips 6-32 x 7/16" (11 mm) R.H.M.S. for clutch cover and backing plate
201448-022-10</p> <p>27. Sems Screw Phillips 8-32 x 3/16" (5 mm) R.H.M.S. for spacer
201449-022-10</p> <p>28. Sems Screw, Phillips 8-32 x 7/16" R.H.M.S. for Spacer
201450-022-10</p> | <p>29. Sems Screw Phillips 8-32 x 11/16" (17 mm) R.H.M.S. for spacer
201451-022-10</p> <p>Screw Pack - Includes two 201437, four 201568, two 201443, four 201449, four 201451, and four 201565
201506-00-11</p> <p>30. Combination Screw; Phillips 8-32 x 3/4" (19 mm)
201565-03-10
201565-05-10
201565-26D-10</p> <p>31. Rubber Bumper for Door Frame
201568-000-01</p> <p>32. Spacer for 5-pin Medeco core
201569-000-01</p> <p>33. Front Lock Housing
201700-03-01
201700-05-01
201700-26D-01</p> <p>34. Clutch Backing Plate
201708-045-01</p> <p>35. Wave Spring: 201709-000-01</p> <p>36. Guide Bracket: 201721-045-01</p> <p>37. Retractor Shoe
201723-000-01</p> <p>38. Fixed Sleeve RH
201727-000-01</p> <p>39. Inside Lever Coil Return Spring
LH: 201732-000-01
RH: 201730-000-01</p> <p>40. Fixed Sleeve LH
201733-000-01</p> <p>41. Inside Lever Fixed Sleeve Retainer Clip
201734-000-01</p> |
|----------------------------------------------------------------------------------------------------------------------------------------------------------------------------------------------------------------------------------------------------------------------------------------------------------------------------------------------------------------------------------------------------------------------------------------------------------------------------------------------------------------------------------------------------------------------------------------------------------------------------------------------------------------------------------------------------------------------------------------------------------------------------------------------------------------------------------------------------------------------------------------------------------------------------------------------------------------------------------------------------------------------------------------------------------------------------------------------------------------------------------|-------------------------------------------------------------------------------------------------------------------------------------------------------------------------------------------------------------------------------------------------------------------------------------------------------------------------------------------------------------------------------------------------------------------------------------------------------------------------------------------------------------------------------------------------------------------------------------------------------------------------------------------------------------------------------------------------------------------------------------------------------------------------------------------------------------------------------------------------------------------------------------------------------------------------------------------------------------------------------------------------------------------------------------------------------------------------------------------------------------------------------------------------------------------------------------------------------------------------|---------------------------------------------------------------------------------------------------------------------------------------------------------------------------------------------------------------------------------------------------------------------------------------------------------------------------------------------------------------------------------------------------------------------------------------------------------------------------------------------------------------------------------------------------------------------------------------------------------------------------------------------------------------------------------------------------------------------------------------------------------------------------------------------------------------------------------------------------------------------------------------------------------------------------------------------------------------------------------------------------------------------------------------------------------------------------------------------------------------------|

Order Toll Free: 800-282-2837 or Fax: 800-447-2299

**SOUTHERN
LOCK**

ILCO, KABA ILCO, UNICAN, SIMPLEX: L1000 SERIES EXPLODED VIEW



- 42. Unified Trim Plate - Standard
201736-03-01
201736-05-01
201736-26D-01
- 43. Reinforcing Plate
201738-045-01
- 44. Spring CLip for passage set
201740-022-01
- 45. Unified Trim Plate - Passage Set
201745-03-01
201745-05-01
201745-26D-01

NOTE: Some parts are factory order items.

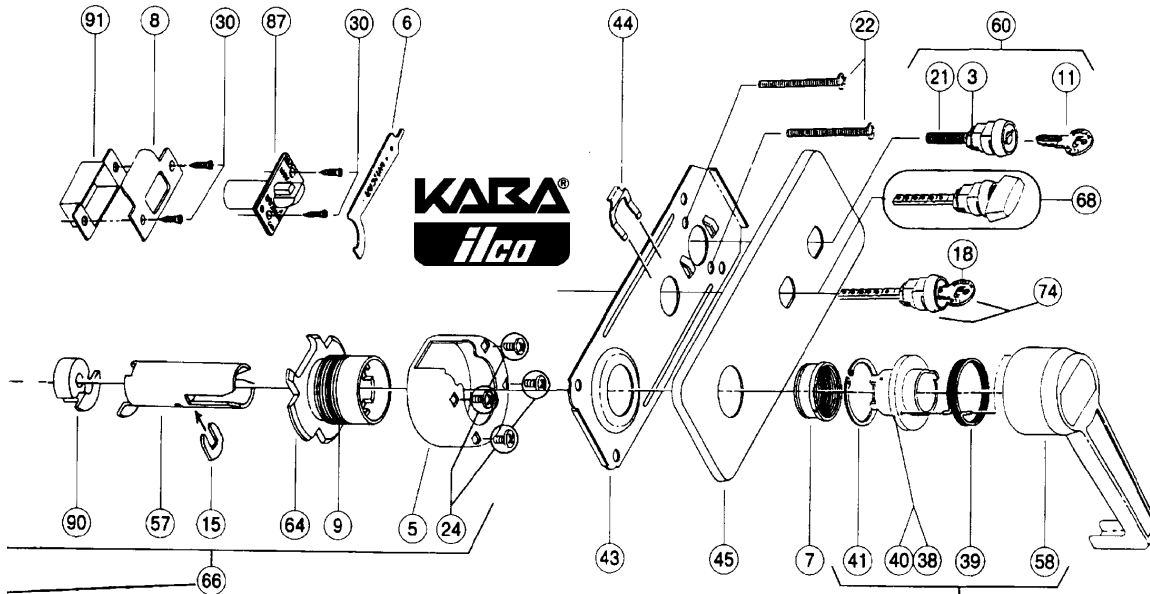
- 46. Cross Pins 0.1" diameter x 0.375" long: 201755-045-10
- 47. Pin Linkage Cancelling
201756-022-05
- 48. Outside Lever Extension Return Spring (Discontinued) See #55
- 49. Combination Chamber (M-63)
825-4175 201764-000-01
- 50. Linkage Pin
201765-045-05

- 51. Balance Spring: 201768-000-01
- 52. Cross pin .10" (2.5 mm) x .50" (1.27 mm): 201769-045-10
- 53. Outside Lever Handle Assembly
Standard
RH
201770-03-01
201770-05-01
201770-26D-01
LH
201771-03-01
201771-05-01
201771-26D-01
- 54. Outside Drive Sleeve Assembly
Standard
201772-000-01
- 55. Stop Plate Assembly w/Outside Lever Extension Return Spring. (Order #s on last page of Simplex section.)
RH: 201773-000-01
LH: 201774-000-01
- 56. Clutch Cover Assembly
RH: 201780-000-01
LH: 201781-000-01



Order Toll Free: 800-282-2837 or Fax: 800-447-2299

L1000 SERIES EXPLODED VIEW



- 57. Inside Drive Sleeve Assembly
201782-000-01
- 58. Inside Lever Sub-Assembly
201784-03-01
201784-05-01
201784-26D-01
- 59. Inside Lever Assembly: RH
201785-03-01
201785-05-01
825-4640 201785-26D-01
Inside Lever Assembly: LH
201786-03-01
201786-05-01
825-4645 201786-26D-01
- 60. Plug Assembly for combination change with 2 keys
201787-03-01
201787-05-01
201787-26D-01
- 61. Clutch Assembly Includes disc knob balance, and double wave springs
825-4180 RH: 201788-000-01
825-4185 LH: 201789-000-01
- 62. Outside Lever Assembly for Best/ Falcon/Arrow Removable Core: RH
201790-03-01
201790-5B-01
201790-26D-01

- 63. Outside Drive Sleeve Assembly for Best/ Falcon/Arrow Removable Core: LH
201791-03-01
201791-5B-01
201791-26D-01
- 63. Outside Drive Sleeve Assembly for Best/ Falcon/Arrow Removable Core
201792-000-01
- 64. Shoe Retainer Cap Assembly
201793-03-01
201793-05-01
201793-26D-01

- NOTE:** Some parts are factory order items.
- 65. Shoe Retainer Assembly
201794-000-01
 - 66. Cylindrical Drive Unit Assembly
201795-03-01
201795-05-01
201795-26D-01
 - 67. Back Plate Assembly
201796-03-01
201796-05-01
201796-26D-01
 - 68. Plug Assembly for passage set with thumbturn
201807-03-01
201807-05-01
201807-26D-01

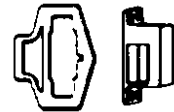
69. Unified Trim Plate Assembly - standard for model 1011, 1021 (one cylinder)
201808-03-01
201808-05-01
201808-26D-01
70. Unified Trim Plate Assembly for passage set with key (two cylinders)
201809-03-01
201809-05-01
201809-26D-01
71. Unified Trim Plate Assembly for passage set with thumbturn (one cylinder and one thumbturn)
201810-03-01
201810-05-01
201810-26D-01
72. Drive Shaft Assembly (Standard)
201812-000-01
73. Drive Shaft Assembly (Key Override)
201813-000-01
74. Plug Assembly for passage set with 2 keys
201818-03-01
201818-05-01
201818-26D-01
75. Chamber Release Cam (for Passage Set)
201824-045-01
76. Chamber Release (for Passage Set)
201825-000-01
77. Outside Lever Assembly for Schlage Removable Core: RH
201829-03-01
201829-05-01
201829-26D-01
- Outside Lever Assembly for Schlage Removable Core: LH
201830-03-01
201830-05-01
201830-26D-01
78. Outside Drive Sleeve Assembly for Sargent Removable Core
201831-045-01
79. Outside Drive Sleeve Assembly for Corbin/Ruswin Removable Core
201832-045-01
80. Outside Drive Sleeve Assembly for Schlage **201840-045-01**
81. Outside Drive Sleeve Assembly for Medeco/Yale
201842-045-01
83. Outside Lever Assembly for Sargent Removable Core: RH
201925-03-01
201925-5B-01
201925-26D-01
- Outside Lever Assembly for Sargent Removable Core: LH
201926-03-01
201926-5B-01
201926-26D-01
84. Outside Lever Assembly for Medeco Removable Core: RH
201927-03-01
201927-5B-01
201927-26D-01
- Outside Lever Assembly for Medeco Removable Core: LH
201928-03-01
201928-5B-01
201928-26D-01
85. Outside Lever Assembly for Corbin/Ruswin Removable Core: RH
201929-03-01
201929-5B-01
201929-26D-01
- Outside Lever Assembly for Corbin/Ruswin Removable Core: LH
201930-03-01
201930-5B-01
201930-26D-01
86. Fixed Sleeve: RH
201949-03-01
201949-05-01
201949-26D-01
- Fixed Sleeve: LH
201950-03-01
201950-05-01
201950-26D-01
87. 5/8" (16 mm) Throw Standard Latch carries 3-hour UL/ULC fire rating for "A" labeled doors - 2-3/4" Backset floating front
201961-03-01
825-2040 **201961-05-01**
825-2041 **201961-26D-01**
88. Outside Lever Assembly for ASSA Removable Core: RH
204008-03-01
204008-5B-01
204008-26D-01
- Outside Lever Assembly for ASSA Removable Core: LH
204009-03-01
204009-5B-01
204009-26D-01
89. Outside Drive Assembly for ASSA
204010-045-01
90. Drive Insert
204015-000-01
91. Strike Box
55068-000-01



For 900 Series Locks

Adapter kits for metal door & frame installations (Riser plate & Surface Strike)

825-0800	SIM-800-04
825-0801	SIM-801-26D



Combination Chamber

for 900 Series locks.
 (7/8 x 15/16 x 3-7/8")

825-0852	SIM-852-M55
----------	-------------

