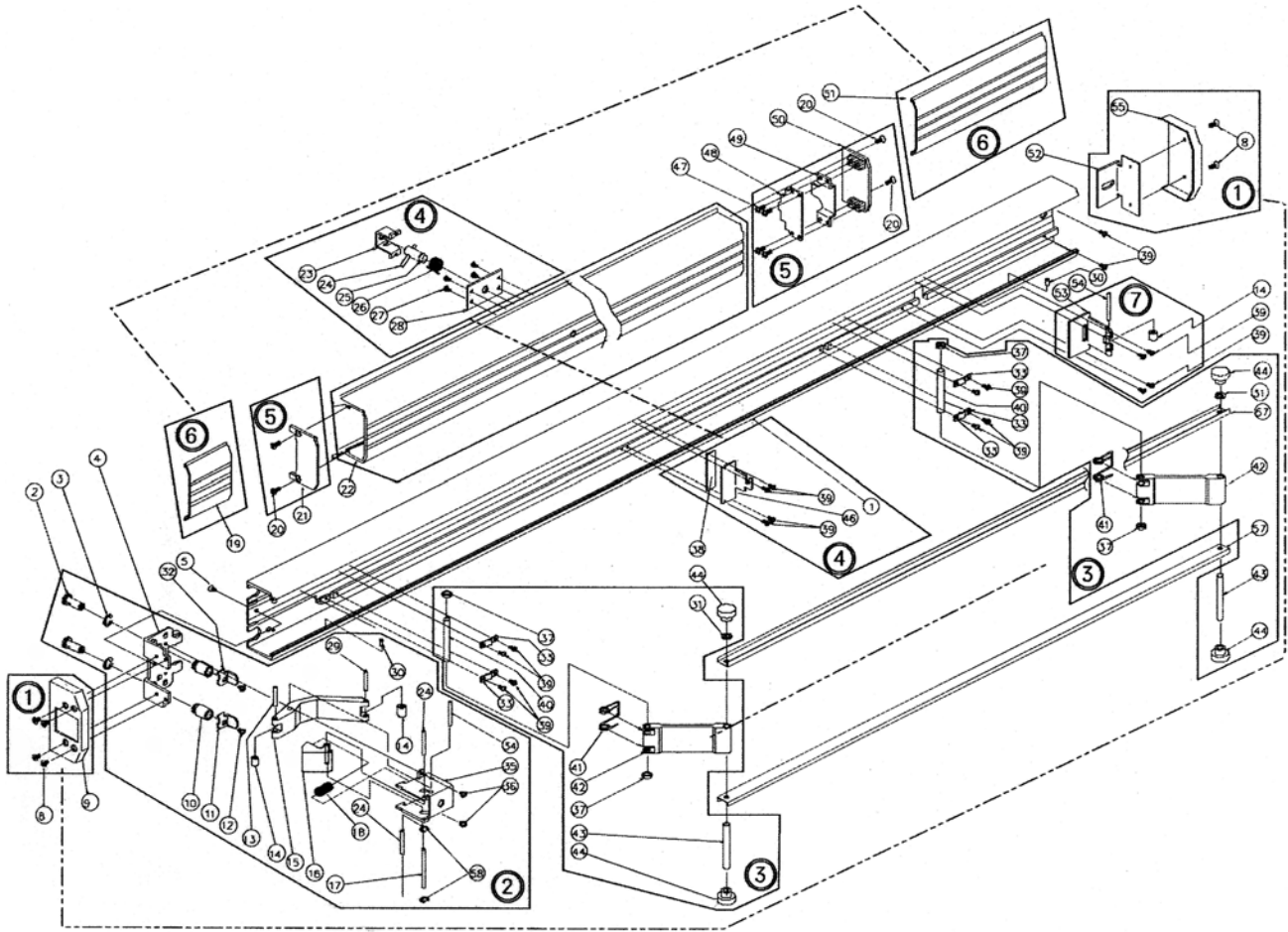




# 1295 Rim Exit Device



#	Part #	Description	Finish
1	30-2677	Base Cover Plate Package	
2	30-2679	Latch Assembly Package	
3	30-2664	Control Arm Hardware Package	
4	30-2670	Dogging Assembly	
5	30-2697	Push Pad End Cap Package	
6	30-2674	Cover Plate Package	F
7	30-2697	Control Bracket Package	

F denotes Finish: US28 / 628, DBX 313, BLK 335

PTS - 12

• Main Largo Florida Warehouse: 800-282-2837, Fax: 800-447-2299  
 • Atlanta: 877-217-9396 • Charlotte: 888-571-9145 • South Florida: 888-780-6071  
[www.southernlock.com](http://www.southernlock.com) E-mail: [sales@southernlock.com](mailto:sales@southernlock.com)

