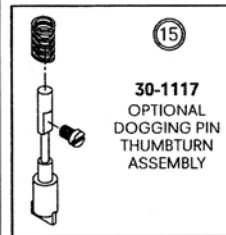
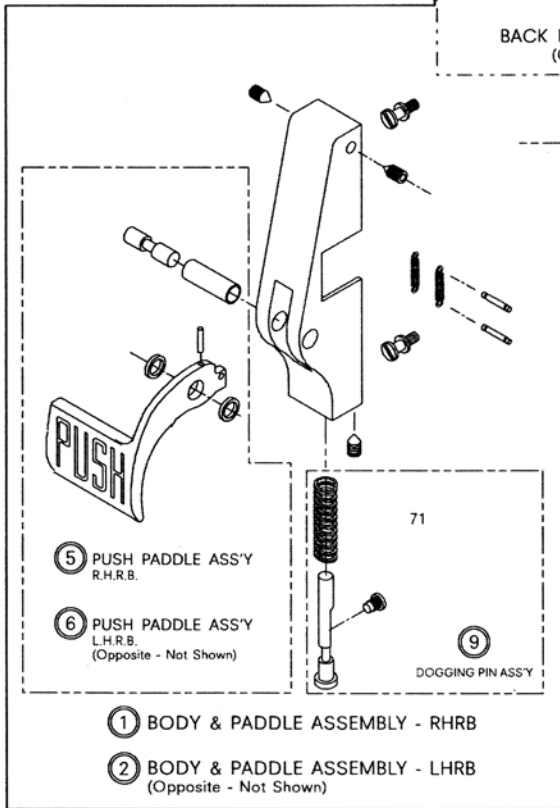
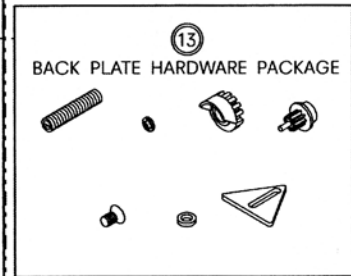
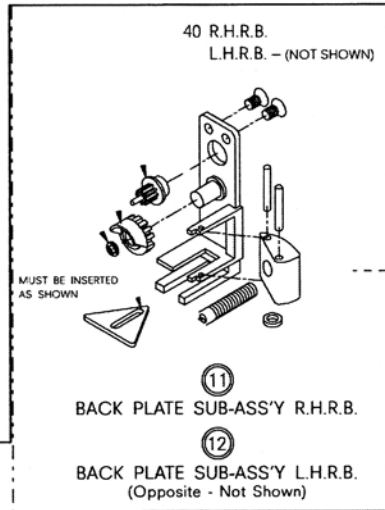
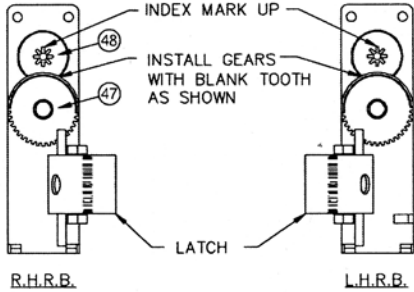




1095P Rim Exit Device - Paddle

ORIENTATION OF THE BACK PLATE GEAR ASSEMBLY
FOR R.H.R.B. DOORS FOR L.H.R.B. DOORS



#	Part #	Description	Finish
1	30-998	Body & Paddle Assy - RHRB	F
3	30-999	Body & Paddle Assy - LHRB	F
5	30-1245	Push Paddle Assembly - RHRB	F
6	30-1246	Push Paddle Assembly - LHRB	F
9	30-1115	Dogging Pin Assembly	
10	30-851	Body Hardware Package	

#	Part #	Description	Finish
11	30-846	Back Plate Gear Assy - RHRB	F
12	30-847	Back Plate Gear Assy - LHRB	F
13	30-852	Back Plate Hardware Package	
15	30-1117	Dogging Pin Assy - Thumbturn (Optional)	F

F denotes Finish: US28 / 628, DBX 313, BLK 335

PTS - 10

• Main Largo Florida Warehouse: 800-282-2837, Fax: 800-447-2299
 • Atlanta: 877-217-9396 • Charlotte: 888-571-9145 • South Florida: 888-780-6071
www.southernlock.com E-mail: sales@southernlock.com

