



# YOUR MORTISE LOCK HEADQUARTERS



## FEATURING



## 40H SERIES Grade 1 Mortise Locks

### ANSI/BHMA A156.13 Series1000

- Solid one-piece stainless steel anti-friction latch provides 50% more surface contact with strike for superior strength and security.
- **Reversible latch rotates 180 degrees for easy handing change without opening case.** Precision-engineered curve provides enhanced cycle life with reduced wear to the strike.
- Non-handed cylinder retainer and stainless steel auxiliary bolt for ease of changing hand.
- Armored front completely surrounds latch and deadbolt providing increased lateral strength. Staked assembly design allows the armored front to self-align with the door bevel during installation.
- Enhanced case integrity achieved through four case cover screws (one at each corner), plus interlocking armored front and cover design at the latch.
- Roller bearing hub mechanism provides smooth, wear resistant operation.



- Locking toggle includes clear indication of “locked” and “unlocked” states.
- 40H case, cover, and armored front manufactured from 0.095” cold rolled steel for strength and durability.
- Fusible link.
- Four position hub toggle design determines whether each hub is always locked, always unlocked, or locked by key for easy handing change without opening case.
- Lever return spring mechanism located in trim for enhanced protection against lever droop, providing a firm, positive return of the lever to the horizontal position.
- Self-aligning trim mechanism for fast, easy, and accurate installation.
- Curved lip strike and strike box assembly provides an aesthetic, non-handed solution to complement field reversible case.
- Solid machined cylinder rings with tension spring provide resistance to wrenching of cylinder. Cylinder security screw prevents removal of cylinder without first removing interchangeable core.

## Universal Lock Body & Levers

ORDER #	ITEM #	DESC.	PRICE
846-0060	45CA-UNR-626	Universal Lock Body & Safe	\$492.00
846-0005	40HTKIS1-15H-626	Inside Lever Only	\$271.20
846-0065	40HTKO1-15H-626	Outside Lever Only	\$301.20
846-0015	40HTKOS2-15H-626	Outside Lever x Cylinder	\$402.00
846-0070	40HTKIS1-14H-626	Inside Lever Only	\$271.20
846-0025	40HTKOS1-14H-626	Outside Lever Only	\$301.20
846-0030	40HTKOS2-14H-626	Outside Lever x Cylinder	\$374.40

### UNR - Universal Lock Body TK - Trim Kit

- A - Office (F04)
- AT - Office (F04)
- D - Storeroom (F07)
- N - Passage (F01)
- NX - Exit (F31)
- R - Classroom (F05)

## LT Privacy Lock Body & Levers

Latch operated by rotating inside lever or rotating outside lever only when deadbolt is retracted. Outside locked by turning inside turn lever or turning the emergency key. Outside unlocked by turning inside turn lever or rotating inside lever or turning the emergency key. Inside always unlocked.

ORDER #	ITEM #	DESC.	PRICE
846-0035	45HCA-LT-626	LT Privacy Lock Body & Safe	\$492.00
846-0040	40HTKIS2-15H-626	Inside Lever x Turn	\$358.80
846-0045	40HTKOS3-15H-626	Outside Lever x Emergency Plate	\$316.80
846-0050	40HTKIS2-15H-626	Inside Lever x Turn	\$358.80
846-0055	40HTKOS3-14H-626	Outside Lever x Emergency Plate	\$316.80



14 Lever  
H Rose



15 Lever  
H Rose

**ML2000 SERIES**

**Grade 1 Mortise Locks**

Designed to meet the rigors of high-traffic commercial, institutional, industrial, and government applications.

**Key Advantages**

- **Patented Quick Reversible feature enables reversal of hands without disassembling the lock case.**
- Security trims provide a vandal-resistant barrier
- Can be used with new or existing Corbin Russwin key systems. Also accepts cylinders of most other manufacturers.
- Provides life safety and security in a single door prep
- Through-bolted trim designs for proper alignment and increased security.
- Heavy-gauge chrome plated steel
- 2-3/4" backset, for 1-3/4" standard door thickness



**Certification/Compliance**

- ANSI A156.13 Series 1000, Operational and Security Grade 1. Meets A117.1 Accessibility Code.
- Meets FF-H-106C.UL/ULC-UL10C Positive Pressure

**NOTE: ORDER ALL THREE PARTS SEPARATELY.**

A complete Corbin Russwin mortise lock consists of:  
**(1) Lock Body (2) Trim (3) Cylinder**

**2. ORDER TRIM Mortise Trim Packages**

Includes all fasteners. Satin chrome finish.

**Functions: ML2055, 2057, 2051, 2010, 2072**

ORDER #	ITEM #	DESIGN	PRICE
195-8000	TRIM #20 NSA 626	Newport	<b>\$845.10</b>
195-8100	TRIM #23 LWA 626	Lustra	<b>\$549.00</b>
195-8200	TRIM #26 NSN 626	Newport	<b>\$863.10</b>
195-8210	TRIM #28 NSN 626	Newport	<b>\$863.10</b>
195-8300	TRIM #29 NSM 626	Newport	<b>\$863.10</b>
195-8400	TRIM #32 LWM 626	Lustra	<b>\$567.00</b>
195-8500	TRIM #35 RWA 626	Regis	<b>\$394.20</b>

**Functions: ML2030, ML2020**

195-8110	TRIM #25 LWA 626	Lustra	<b>\$549.00</b>
195-8310	TRIM #31 NSM 626	Newport	<b>\$588.60</b>

**3. ORDER CYLINDERS**

Order cylinders separately.

**1. ORDER LOCK BODY**

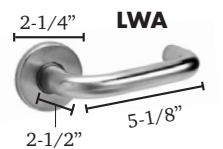
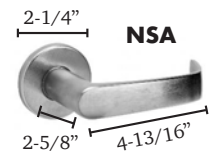
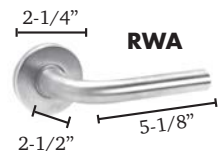
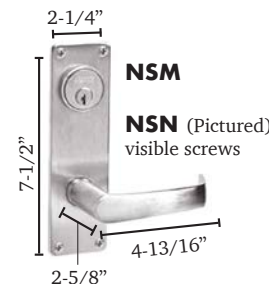


Front and strike included. Order trim and cylinders separately.

ORDER #	ITEM #	DESC.	PRICE
195-7000	COR #1	ML2055LL 626 ML2055 Classroom ML2042 Entrance or Public Restroom	<b>\$413.10</b>
195-7005	COR #2	ML2057LL 626 Storeroom	<b>\$413.10</b>
195-7010	COR #3	ML2051LL 626 Entrance/Office	<b>\$413.10</b>
195-7015	COR #4	ML2065LL 626 ML2065 Dormitory ML2030 Privacy	<b>\$445.50</b>
195-7020	COR #5	ML2067LL 626 Apartment/Dormitory	<b>\$445.50</b>
195-7025	COR #6	ML2010LL 626 Passage	<b>\$378.90</b>
195-7030	COR #7	ML2024LL 626 ML2024 Entrance ML2020 Privacy	<b>\$445.50</b>
195-7035	COR #8	ML2072LL 626 ML2072 Classroom ML2075 Classroom	<b>\$413.10</b>
195-7040	COR #9	ML2032 Institution ML2032 Utility	<b>\$413.10</b>

**Functions: ML2065, 2067, 2024**

ORDER #	ITEM #	DESIGN	PRICE
195-8005	TRIM #21 NSA 626	Newport	<b>\$845.10</b>
195-8105	TRIM #24 LWA 626	Lustra	<b>\$549.00</b>
195-8205	TRIM #27 NSN 626	Newport	<b>\$655.20</b>
195-8305	TRIM #30 NSM 626	Newport	<b>\$863.10</b>
195-8405	TRIM #33 LWM 626	Lustra	<b>\$567.00</b>
195-8505	TRIM #36 RWA 626	Regis	<b>\$350.10</b>



## FALCON

### MA SERIES

### Heavy Duty Grade 1 Mortise Locks

**Door Thickness:** Standard accommodates thickness of 1-3/8" to 2-1/2".

**Backset:** 2-3/4" only.

**Handing:** Right hand is standard; left hand optional.

**Reversible in the field.**

**Latch Bolt:** Two-piece stainless steel, mechanical anti-friction bolt. 3/4" projection.

**Dead Bolt:** 1" throw, stainless steel with two 13/16" diameter hardened steel, free-turning, saw-resistant roller.

**Faceplates:** (Armored Front) 1-1/4" x 8" brass or stainless steel adjustable for door bevel. Reinforced by heavy gauge steel with stabilizing ribs.

**Strike:** Brass or stainless steel. Meets ANSI A115.1 for frame preparation. Strike is non-handed.

**Electrified Functions:** Available in 12 or 24 VDC.

**ANSI/BHMA:** Meets ANSI/BHMA 156.13, Series 1000.

**UL:** 3 hour A label

#### FUNCTIONS:

**M561**



**Classroom Lock.** Deadlocking latch bolt by knobs/ levers. Outside knob/lever locked by key outside. Inside knob/lever always free.

**M571**



**Dormitory Lock.** Latch bolt by knobs/ levers except when outside knob/lever is locked by projecting dead bolt. Key outside retracts dead bolt and unlocks outside knob/lever. Rotating inside knob/lever retracts both bolts.

**M581**



**Storeroom Lock/Exit Lock.** Deadlocking latch bolt by inside knob/lever or key outside. Outside knob/lever rigid.

Other FALCON functions and locks are available by special order.

### Mortise Lockbodies & Trim Packages

#### ROSE TRIM

#### Dane Lever • Gala Rose

- Grade 1 • Less Cylinder
- UL Listed
- 2-3/4" Backset



ORDER #	ITEM #	FUNCTION	FINISH	PRICE
285-4145	MA101	Passage	626	\$359.00
285-4155	MA301	Privacy	626	\$417.00
285-4165	MA521L	Entry/Office	626	\$408.00
285-4175	MA561L	Classroom	626	\$408.00
285-4185	MA441L	Class Security	626	\$403.00
285-4195	MA581L	Storeroom	626	\$408.00
285-4205	MA531L	Apartment	626	\$421.00

#### ESCUTCHEON TRIM

#### Dane Lever Napa Escutcheon

- Grade 1 • Less Cylinder
- UL Listed
- 2-3/4" Backset



ORDER #	ITEM #	FUNCTION	FINISH	PRICE
285-4150	MA101	Passage	626	\$389.00
285-4160	MA301	Privacy	626	\$448.00
285-4170	MA521L	Entry/Office	626	\$443.00
285-4180	MA561L	Classroom	626	\$443.00
285-4190	MA441L	Class Security	626	\$439.00
285-4200	MA581L	Storeroom	626	\$443.00
285-4210	MA531L	Apartment	626	\$452.00

#### Sutro Lever Napa Escutcheon

- Grade 1 • Less Cylinder
- UL Listed
- 2-3/4" Backset



ORDER #	ITEM #	FUNCTION	FINISH	PRICE
285-0100	MA561BSN	Classroom	626	\$679.00
285-0090	MA571BSN	Dormitory	626	\$679.00
285-0110	MA581BSN	Storeroom	626	\$679.00





### 3 SERIES Mortise Deadlocks

1" Bolt throw. High pressure cast case.

- **Backset:** 2-3/4"
- **Bolt throw:** 1"
- **Case:** High pressure cast
- **Front:** 1-1/16" x 4-5/8" flat with cover plate, can be beveled at 3°
- **Cylinder:** Solid brass cylinder, 6-pin, "C" keyway, 2 keys
- **Strike:** Reversible #4035 strike and screws included



ORDER #	ITEM #	BACKSET	PRICE
540-3000	MAR 3000 26D G3	2-3/4"	\$144.00
540-3001	MAR 3000 US3 G3	2-3/4"	\$124.80

### SS19 SERIES Institutional Life Safety Mortise Locksets

**Trim Specifications:** Exterior and Interior Trim. Solid brushed chrome interior and exterior trim including finger indented safety knobs which recess into solid brass through-bolted roses.

- **ANSI 156.13, Grade 1, UL Listed, 3 hr. fire rated**
- **Cylinder:** Solid brass cylinders with solid brass security collars
- **Strike:** 4-7/8" curved lip with tamper-proof screws
- **Backset:** 2-3/4"
- **Door Thickness:** 1-3/4" Standard
- **Door Prep:** ANSI A115.1 lock face cutout with 2-1/8 thru-hole for knob/rose assembly
- **Lock Front:** Adjustable bevel steel backplate & cover plate with tamper proof screws.



**ANSI F09 Entrance (G Function).** Inside/outside key cylinders. Both inside and outside knob can be left in "passage" mode. Turning key from either side locks both knobs.

ORDER #	ITEM #	PRICE
540-5050	5SS50G 26D	\$1,288.80

#### FUNCTIONS:



**F07: Storeroom** Latch by knob/lever inside, key outside. Outside knob/lever always rigid. Auxiliary latch deadlocks latch. Inside always open.



**F08, F10: Entrance** Latch by knob/lever either side except when outside locked by stop-button; then by key outside, knob lever inside. Deadbolt by key outside, turnpiece inside. Deadbolt deadlocks latch.

### 7 SERIES Commercial Grade Mortise Locksets

High pressure cast Zamac body with a baked enamel finish to resist corrosion, cast alloy 1" throw deadbolt for strength, and a flexible face plate that may be installed flat or with a 3 degree bevel.

- **Backset:** 2-3/4"
- **Bolt throw:** Cast alloy full 1" throw
- **Latch throw:** 5/8" (anti-friction)
- **Case:** High pressure cast Zamac, baked enamel finish
- **Front:** 1-1/4" x 8", Flat or 3° bevel
- **Hubs:** 9/32" on square steel with security separator

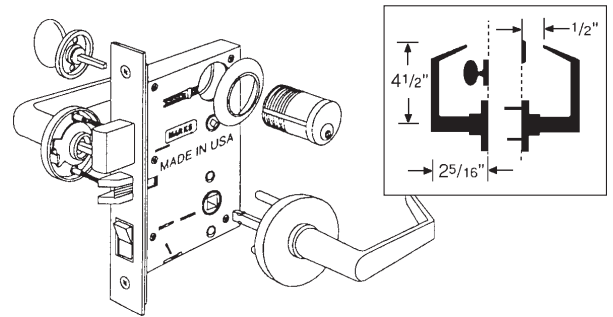


No cylinder included

#### Entrance Function 7800A

ORDER #	ITEM #	PRICE
540-7800	7CL10A US3 G3	\$531.60
540-7801	7CL10A 26D G3	\$715.20

### Lever/Rose Mortise Locksets



- Comes with Armor Faceplate
- Thru-bolted lever/rose assemblies w/lever support springs.
- Steel, reinforced brass roses, 2-9/16" dia. x 3/8"
- Solid forged brass, screwless levers.
- Independent spring loaded 5/16" spindles.
- Solid bar stock, brass cylinders, 5 pin.
- Reversible mortise lock with lever support springs.
- 2-3/4" Backset

**RW** = Plain rose 2-9/16" diameter  
**92** = American lever style  
Less cylinder

ORDER #	ITEM #	FUNCTION	PRICE
540-0200	7RW92A 32D G3	Entry	\$650.40
540-0205	5RW92EW 32D G3	Storeroom	\$714.00

## SARGENT

## ASSA ABLOY

### 8200 SERIES Grade 1 Mortise Locks

#### Maximum Strength & Durability

- Exceeds ANSI A156.13, Series 1000, Operational Grade 1 and Security Grade 1 with standard trims.
- Meets and exceeds ASTM F1577-95b paragraph 6.2 detention impact level 1 for deadbolt functions, level 3 for latch only functions.
- 12 gauge (.109) steel case and cap
- 3/4" stainless steel latchbolt, one-piece construction
- 2-3/4" backset, for 1/3/4" thick doors.
- 10 year manufacturer's mechanical warranty. No service required to maintain warranty.



#### Maximum Flexibility

- Fast and easy installation. **Easily re-handed without removing parts or opening the lock case.**
- Multi-function lockbody makes it easy to change functions in the field.
- UL Listed for use on fire doors up to 4'x10' and double door applications.

#### Innovation

- First in the industry to offer a multi-functional lock that embodies 9 functions in 1 lock body.
- Easy operation, Only 30° of lever rotation required to retract latchbolt.
- Lever springs contained inside of the lock case for easier installation.
- Unique spring design, provides longer lock life, no lever sag, and simple installation.
- Torx and spanner screws

#### Multi-Function Lock Body

- Lock will accommodate 04, 05, & 37 Functions without additional parts.
- By adding an additional cylinder, lock will accommodate 17 & 38 functions.
- By adding a Trim One Side Kit, lock will accommodate 06, 13, 31, & 36 functions.



**A Complete lock consists of a BODY, TRIM PACKAGE, and Cylinder(s) (order separately)**

#### Mortise Lock Bodies with Front and Strike Non-Handed, Satin Chrome CYLINDERS NOT INCLUDED

ORDER #	ITEM #	FUNCTION	PRICE
730-2230	BP-8215 26D	Passage	\$414.00
730-2235	BP-8265 26D	Privacy	\$368.10
730-2205	BP-8205 26D	Entry/Office*	\$391.50
730-2215	BP-8255 26D	Entry/Office*	\$391.50
730-2210	BP-8237 26D	Classroom	\$391.50
730-2200	BP-8204 26D	Storeroom*	\$391.50
730-2220	BP-8224 26D w/ Deadbolt	Storeroom*	\$414.00
730-2225	BP-8225 26D w/ Deadbolt	Dormitory	\$414.00

\* See following page for functions

#### Trim Packages

Includes all fasteners. Satin Chrome

ORDER #	ITEM #	FOR FUNC.	PRICE
730-3200	TR-8204 LNB 26D	8204, 8205, 8237, 8255	\$479.70
730-3205	TR-8204 LNL 26D	8204, 8205, 8237, 8255	\$479.70
730-3210	TR-8204 LNJ 26D	8204, 8205, 8237, 8255	\$340.20
730-3220	TR-8224 LNL 26D	8224, 8225, 8243, 8245	\$503.10
730-3225	TR-8224 LNJ 26D	8224, 8225, 8243, 8245	\$363.60
730-3230	TR-8215 LNL 26D	8215	\$466.20

#### WTL Escutcheon with Levers

ORDER #	ITEM #	FOR FUNC.	PRICE
730-3240	TR-8204WTL 26D	Single Cyl. Storerm/Closet	\$452.70



**L SERIES**

**Heavy Duty Grade 1 Mortise Locks**

For commercial and institutional buildings where the finest in mortise locks are required.

- Expansive list of configurations and options, including retrofit indicators
- “The Original” universal lock case allows creation of **10 functions from a single lock body**
- Supports standard, SFIC and FSIC cylinder formats
- Multiple key systems available – open, patented, restricted, geographic exclusive, UL 437

**Certifications:** Exceeds Security Grade 1 and Operational Grade 1

**Case size:** 4-7/16" x 6-1/16" x 1" – Non-handed

**Armored Front:** 1-1/4" x 8" x 7/32" standard

**Latchbolt:** 3/4" throw stainless steel with anti-friction tongue

**Backset:** 2-3/4" only



06 Lever



03 Lever



**ALL LEVERSETS LESS CYLINDER**  
Cylinder not included, order separately.

**Complete Mortise Leverset Packages**

09-663 square corner armor front - 1-1/4" width,

10-072 standard square corner strike, Less cylinder

**Passage**

ORDER #	ITEM #	PRICE
740-9410	L9010L-03A-626	\$796.29
740-9411	L9010L-06A-626	\$796.29
740-9412	L9010L-03L-626	\$972.82
740-9413	L9010L-06L-626	\$972.82

**Entry/Office**

ORDER #	ITEM #	PRICE
740-9419	L9050L-03A-626	\$951.23
740-9010	L9050L-06A-626	\$841.82
740-9420	L9050L-03L-626	\$1,127.76
740-9421	L9050L-06L-626	\$1,127.76

**Privacy**

ORDER #	ITEM #	PRICE
740-9415	L9040L-03A-626	\$937.26
740-9416	L9040L-06A-626	\$937.26
740-9417	L9040L-03L-626	\$937.26
740-9418	L9040L-06L-626	\$1,113.79

**Classroom**

ORDER #	ITEM #	PRICE
740-9422	L9070L-03A-626	\$951.23
740-9020	L9070L-06A-626	\$841.82
740-9423	L9070L-03L-626	\$1,127.76
740-9424	L9070L-06L-626	\$1,127.76

**Entry w/ Deadbolt**

ORDER #	ITEM #	PRICE
740-9040	L9453L-06A-626	\$873.18

**Storeroom**

ORDER #	ITEM #	PRICE
740-9030	L9080L-06A-626	\$734.02

**Corridor w/ Deadbolt**

ORDER #	ITEM #	PRICE
740-9001	L9456L-06A-630	\$902.58

**Storeroom w/ Deadbolt**

ORDER #	ITEM #	PRICE
740-9431	L9480L-03A-626	\$1,109.98
740-9432	L9480L-06A-626	\$1,109.98
740-9433	L9480L-03L-626	\$1,286.51

**L SERIES PARTS**

**Spring Cage Assembly**

(1 required per lever)

ORDER #	ITEM #	PRICE
740-0010	L283-040	\$10.39

**Spindle and Spring**

(2 required per lock)

740-0310	L283-060	\$8.33
----------	----------	--------

**Interior Mortise Trim**

Lever for L Series Mortise Lock bodies

740-0004	09-402-03A 626	\$189.14
----------	----------------	----------





## Build a Mortise Lock

Order components separately to build your own mortise lockset.

### 1. ORDER LOCK CASE

ORDER #	ITEM #	FUNCTION	PRICE
740-9011	L9010B	Passage	<b>\$140.14</b>
740-9041	L9040B	Privacy	<b>\$158.76</b>
740-9051	L9050B	Entry	<b>\$185.22</b>
740-9071	L9070B	Classroom	<b>\$259.70</b>

ORDER #	ITEM #	FUNCTION	PRICE
740-9081	L9080B	Storeroom	<b>\$259.70</b>
740-9453	L9453LB	Entry/Office Deadbolt	<b>\$216.58</b>
740-9480	L9480LB	Storeroom Deadbolt	<b>\$307.72</b>

### 2. ORDER TRIM PACK

#### Levers with A Rose

**Functions:** L9010, 9070, 9080, 9090, 9091, 9092, 9093, 9095, 9465

ORDER #	ITEM #	PRICE
740-2004	09-454-03A-626	<b>\$401.80</b>
740-2007	09-454-06A-626	<b>\$401.80</b>

**Functions:** L9040

740-2005	09-455-03A-626	<b>\$411.60</b>
740-2008	09-455-06A-626	<b>\$411.60</b>

**Functions:** L9050, 9056, 9453, 9456, 9473, 9480, 9485, 9492

ORDER #	ITEM #	PRICE
740-2006	09-456-03A-626	<b>\$402.78</b>
740-2009	09-456-06A-626	<b>\$402.78</b>
740-2011	09-451-06A-626	<b>\$539.00</b>

03 Lever  
A Rose



06 Lever  
A Rose



06 Lever  
L Escutcheon



#### Levers with L Escutcheon

**Functions:** L9010, 9090, 9091

ORDER #	ITEM #	PRICE
740-2012	09-446-06L-626	<b>\$538.02</b>

**Functions:** L9040

740-2013	09-447-06L-626	<b>\$547.82</b>
----------	----------------	-----------------

**Functions:** 9070, 9080, 9092, 9093, 9465

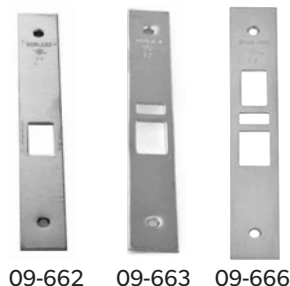
740-2014	09-449-06L-626	<b>\$539.00</b>
----------	----------------	-----------------

**Functions:** L9050, 9056, 9453, 9456, 9473, 9480, 9485, 9492

740-2015	09-451-06L-626	<b>\$539.00</b>
----------	----------------	-----------------

### 3. ORDER ARMOR FRONT

ORDER #	ITEM #	DESC.	PRICE
740-2021	09-662-626	Latch only for 9010, 9040, V9040	<b>\$38.81</b>
740-2017	09-663-626	Latch x aux latch for 9050, 9056, 9070, 9080, 9082, 9090, 9091, 9092, 9093, 9095	<b>\$38.81</b>
740-2018	09-666-626	Latch x aux latch x deadbolt for 9453, 9458, 9480, 9485/86/92/93/94/95	<b>\$38.81</b>



09-662 09-663 09-666

### 4. ORDER STRIKE

ORDER #	ITEM #	DESC.	PRICE
740-2019	09-494-626	10-072 Strike 1-1/4" x 4-7/8" square corner, no box strikes with 1" lip	<b>\$23.62</b>







**8800 SERIES Grade 1 Mortise Locks**

The SL8800 series mortise lock features heavy-duty lever escutcheon trim and is designed primarily for applications in schools and other institutions where excessive abuse and vandalism may occur. It is also recommended for use in minimum security prisons and office buildings or apartment buildings located in "high crime" areas.

Yale® SL8800 series lever escutcheon trims feature through-bolted installation with security head screws.

Outside trim is held in place by threaded posts. Posts fit through holes in the door, above and below the lock case, and are secured by through-bolts from the inside trim.



**Armor Front:** 8" x 1-1/4"

**Door Thickness:** 1-3/4" standard

**Latchbolt:** 3/4" throw, stainless steel two-piece anti-friction camming action

**UL Listed:** For application on labeled fire doors.

**Backset:** 2-3/4" only

**Case:** Wrought steel, zinc dichromated

**Hubs:** 3/8" solid steel, fine-blanked and heat treated for additional strength

**Less Cylinder**

ORDER #	ITEM #	PRICE
755-1000	AU-CN8805FL-LC 626	<b>\$812.90</b>
755-1010	AUR-8805FL-LC 626	<b>\$790.90</b>
755-1020	AU-CN8807LF-LC 626	<b>\$812.90</b>
755-1030	AUR-8807FL-LC 626	<b>\$790.90</b>
755-1005	AU-CN8805FL-LC 613	<b>\$625.90</b>
755-1015	AUR-8805FL-LC 613	<b>\$790.90</b>
755-1035	AUR-8807FL-LC 613	<b>\$603.90</b>

**Note:** No Deadbolt on functions listed above

**FUNCTIONS:**

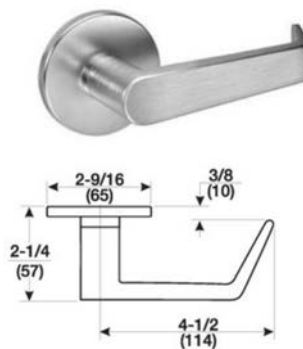
**8805: Storeroom or Closet Lock (F07)**

- For use on storeroom, utility, exit doors.
- Latchbolt retracted by key outside, knob/lever inside.
- Outside knob/lever rigid at all times.
- Inside knob/lever always active.
- Deadlocking latchbolt.

**8807: Entry Lock (F04)**

- For office doors where locking is required.
- Latchbolt retracted by knob/lever either side, except when outside knob/lever is locked by stopwork activator.
- When outside knob/lever is locked, latchbolt is operated by key outside and knob/lever inside.
- Deadlocking latchbolt.

**AUR Augusta**



**AU x CN Augusta**

